

# FREEZER

## HAND PALLET TRUCK

The Raymond LCF55 Freezer Special hand pallet truck is protected with galvanization and other exterior and component treatments to resist corrosion. The LCF55 galvanized hand pallet truck jack is ideal for freezer and refrigerated application with resistance to corrosion from condensation common in cold storage environments.



### STANDARD SPECIFICATIONS:

- Capacity: 5,500 lbs
- Fork OAW: 27"
- Fork width: 7"
- Fork length: 48"
- Fork height (lowered): 3"



---

FOR ORDERS OR INQUIRIES CALL 1.800.558.6012 OR EMAIL [HPTORDERS@RAYMONDCORP.COM](mailto:HPTORDERS@RAYMONDCORP.COM)

---

If you're looking for a partner with the tools and experience to help you run better and manage smarter, contact us today at 1-800-235-7200 or visit us at [raymondcorp.com](http://raymondcorp.com).

**RAYMOND**

# FREEZER HAND PALLET TRUCK

## DURABILITY

Harsh environments won't stop the Freezer (FR) from getting work done. It's resistant to corrosion caused by condensation through various material and surface treatments. The hot dip galvanized fork frame provides resistance to abrasion and premature surface treatment wear.

## MAINTAINABILITY

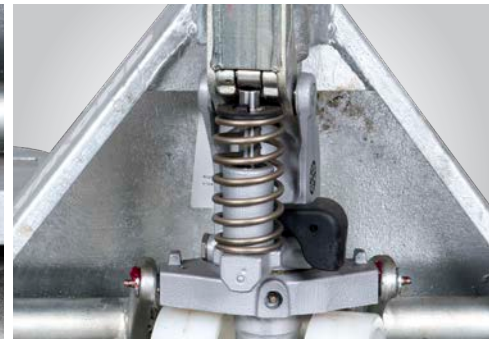
With solid nylon wheels and rollers to prevent premature failure associated with bonded wheels in cold temperatures, the Freezer (FR) keeps you moving. The galvanized freezer unit is rated to -20°F (-30°C).



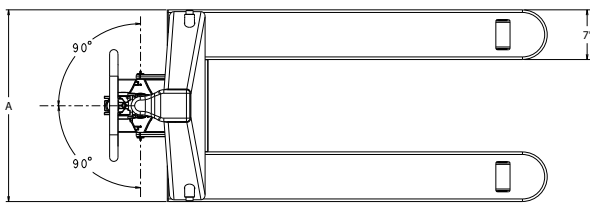
Electro Galvanized Pump Handle



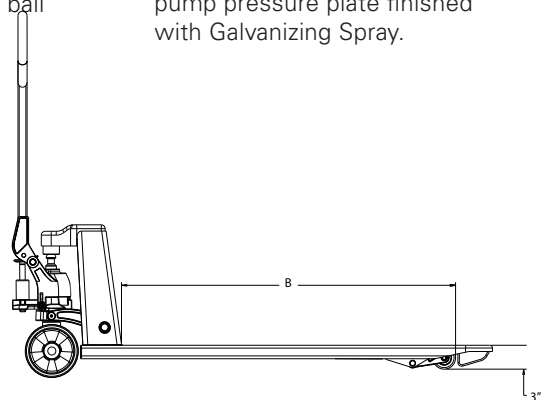
White nylon steer wheels and load rollers complete with shielded ball bearings.



Pump body, torsion bars, lever arms, pump pressure plate finished with Galvanizing Spray.



**\*Overall Width (A):**  
27"



**\*Overall Length (B):**  
48"