

# FOUR WAY

## HAND PALLET TRUCK

The Raymond 4-way hand pallet trucks allow the operator to handle 4-way entry pallets easily in all four directions for maximization of warehouse space and trailer load density. A unique design enables forks to fit into the side openings of four-way pallets for greater versatility in your application. In addition, the ergonomic handle provides convenient access to lift, lower and neutral. Raymond 4-Way Low Profile and Ultra-Low Profile pallet trucks are ideal for operations where space is limited.



### STANDARD SPECIFICATIONS:

- Capacity: 5,000 lbs
- Fork OAW: 33"
- Fork width: 6"
- Fork length: 48"
- Fork height (lowered): 1.75" or 2"

### Options/Configurations

- 4-way (2" lowered fork height)
- Ultra-low 4-way (1.75" lowered fork height)
- Load wheel material

---

FOR INQUIRIES CALL 1.800.558.6012 OR EMAIL [HPTORDERS@RAYMONDCORP.COM](mailto:HPTORDERS@RAYMONDCORP.COM)

---

If you're looking for a partner with the tools and experience to help you run better and manage smarter, contact us today at 1-800-235-7200 or visit us at [raymondcorp.com](http://raymondcorp.com).

**RAYMOND**

# FOUR WAY HAND PALLET TRUCK

## PRODUCTIVITY

Low profile forks are perfect for moving pallets or skids with low clearance openings

## DURABILITY

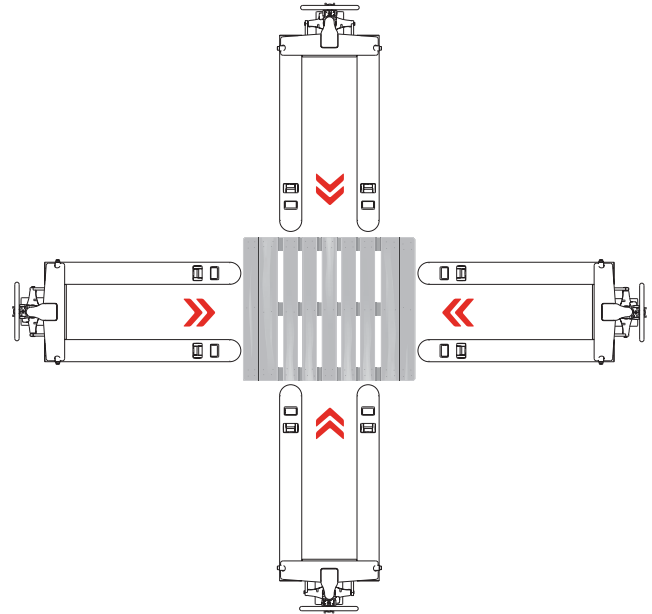
The Four Way has a durable and rugged leak-proof cast hydraulic pump. And the powder coat finish can withstand harsh environments.

## ERGONOMICS

Fingertip controls provide convenient access to lift, lower, and neutral positions.

## FLEXIBILITY

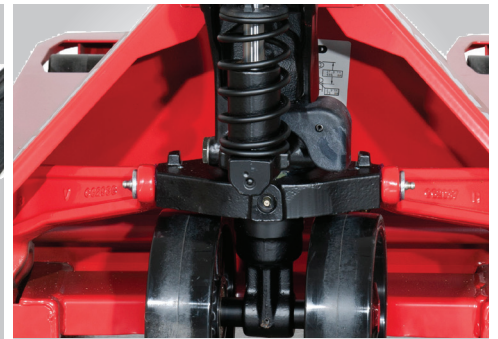
By design, the Four Way can access 4-way pallets from the front or side.



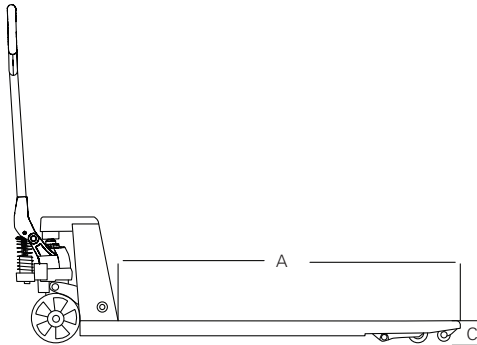
Fingertip controls provide convenient access to lift, lower and neutral.



Simplified pump assemblies use fewer parts and feature uniquely packed seals.



Bushings feature easily accessible grease fittings.



**\*Fork Length (A):**  
48"



**\*Fork OAW (B):**  
33"

**\*Fork Heights (C):**  
4-Way = 2" Ultra Low = 1.75"